

Electronic Damper Actuators Spring Return

Easily Replaces:

- Belimo LF Series



35 lb.-in. Torque

- 24 Vac/dc, 2-Position (Open/Closed) Control
- 100 to 240 Vac, 2-Position (Open/Closed) Control
- 24 Vac/dc, Floating Control
- 24 Vac/dc, 0(2) to 10 Vdc/10 to 0(2) Vdc, (Modulating) Control



GPC Series Spring Return
Direct Coupled Electronic Damper Actuator.

Description

The OpenAir GPC Series direct-coupled, spring return electronic damper actuators are 24 Vac/dc and 100 to 240 Vac rated. Available in 2-position, floating and 0(2) to 10 Vdc control.

Features

- Bi-directional, fail-safe spring return
- Selectable modulating control (0 to 10 Vdc or 2 to 10 Vdc)
- Modulating actuators contain built-in feedback (0 to 10 Vdc or 2 to 10 Vdc)
- Pre-cabled
- Integral 1/2 inch conduit connection
- Plenum rated
- Manual override with easy lock function
- 24 Vac/dc compatible
- Flexible 2-position line voltage (100 to 240 Vac)
- Signal inversion capability on modulating type (2 to 10 Vdc/10 to 2 Vdc)
- Small footprint for installation flexibility
- UL, cUL, CE rated
- Very energy efficient

Options

- Available with optional built-in dual auxiliary switches fixed at 5° and 85°

Applications

The small footprint and torque make this actuator ideal for small HVAC dampers, economizer units, or residential zone dampers requiring fail safe operation.

B-7

Damper Actuators

Specifications

Operating Voltage	24 Vac/dc ±20%
	100-240 Vac (-15/+10%)
Frequency	50/60 Hz
Power Consumption	
GPC121.1P (24 Vac/24 Vdc)	
Running	3.4 VA (2.0 W)
Holding	2.6 VA (1.6 W)
GPC131.1P (24 Vac/24 Vdc)	
Running	3.5 VA (2.1 W)
Holding	2.8 VA (1.7 W)
GPC161.1P (24 Vac/24 Vdc)	
Running	3.5 VA (2.1 W)
Holding	2.8 VA (1.6 W)
GPC321.1U (120 Vac)	
Running	4.6 VA (2.4 W)
Holding	3.5 VA (1.7 W)
Function	
Torque	35 lb.-in. (4 Nm)
Runtime for 90°	60 sec.
Spring Return	15 sec. nominal
Nominal Angle of Rotation.....	90°

Dual Auxiliary Switches	
Fixed at 5° and 85° AC Rating	24 to 250 Vac
	AC 6A resistive
	DC 2A General Purpose
DC Rating (Standard/Plenum Cable)	12 to 30 Vdc
	DC 2A
Shaft Size	3/8 to 1/2-in. (8 to 13.4 mm) round ●
	1/4 to 7/16-in. (6 to 11 mm) square ■
Min. Shaft Length	3/4-in (20 mm)
Conduit Connection	1/2" NPT
Housing Enclosure	NEMA 1
Material	Plenum rated rugged plastic
Ambient Temperature	
Operating.....	-25°F to 130°F (-32°C to 55°C)
Storage and Transport.....	-40°F to 158°F (-40°C to 70°C)
Ambient Humidity	95% RH, non-condensing
Agency Approvals	UL60730, cUL, CE rated
Pre-Cabled Connection	AWG 18
Cable Length	3 ft. (0.9m)
Dimensions	<5.6" H x <2.83" W x <2.5" D
	(<142 mm H x <72 mm W x <63 mm D)
Shipping Weight	<1.5 lbs. (<.68 kg)

Product Ordering

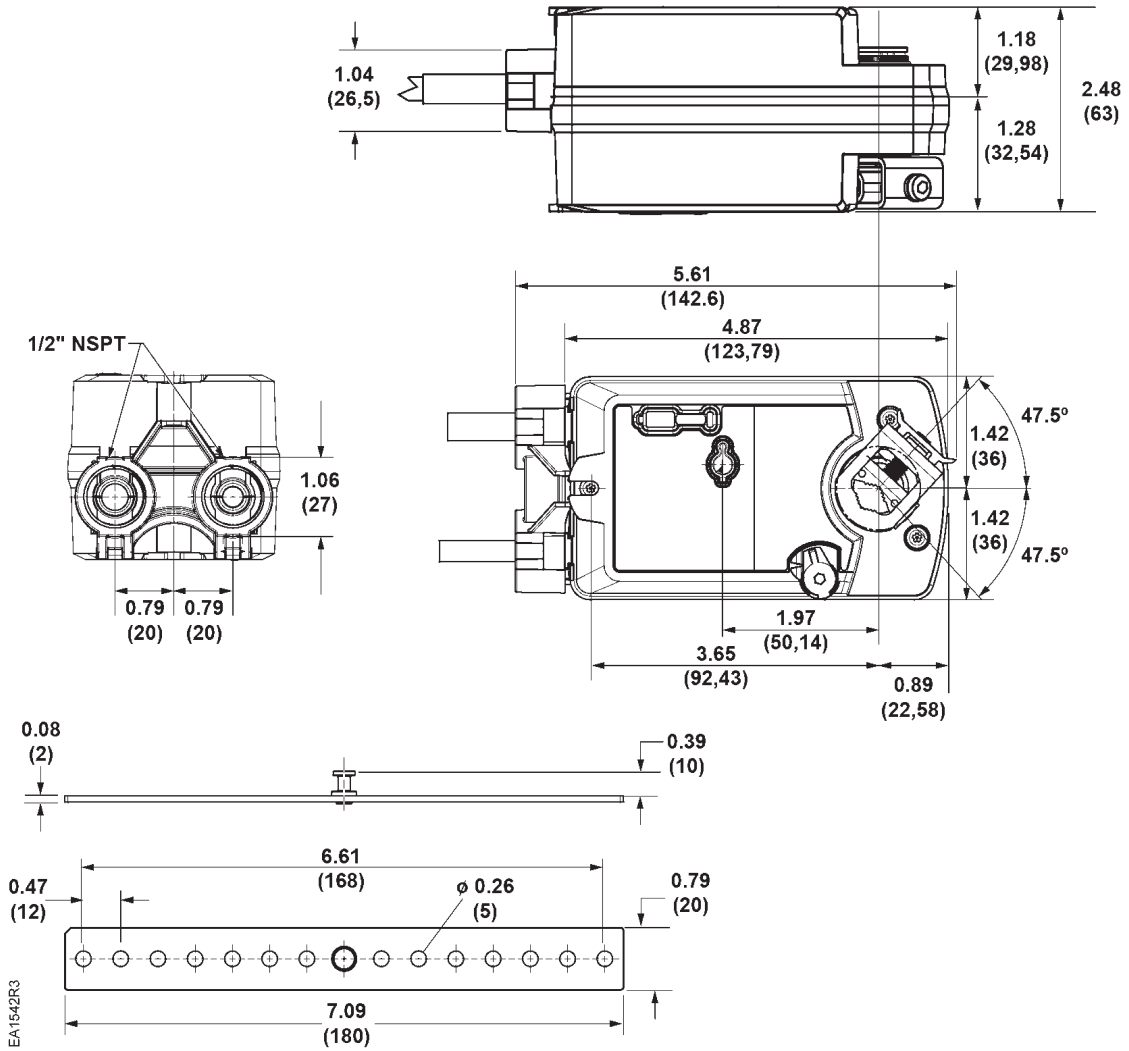
Control Signal	Cabling	Standard	Dual Auxiliary Switches
2-position (Open/Closed), 24 Vac/dc	Plenum Cable	GPC121.1P	GPC126.1P
Floating, 24 Vac/dc	Plenum Cable	GPC131.1P	GPC136.1P
0(2) to 10 Vdc/10 to 0(2) Vdc, (Modulating), 24 Vac/dc	Plenum Cable	GPC161.1P	GPC166.1P
2-position (Open/Closed), 100-240 Vac	Standard Cable	GPC321.1U	GPC326.1U

B-8

Damper Actuators

Dimensions

GPC Series Open Air Electronic Damper Actuators



Dimensions shown in inches (mm).

B-9

Damper Actuators